

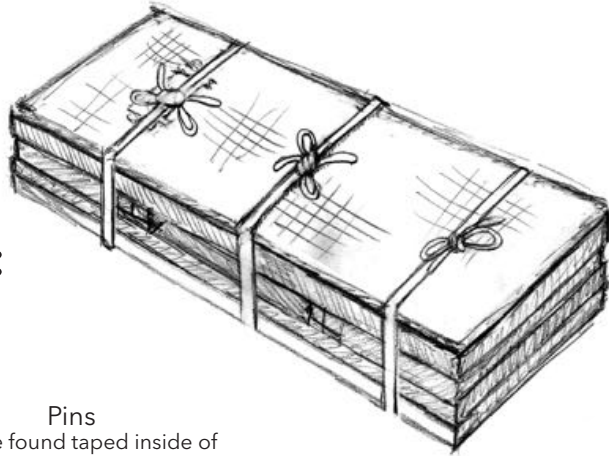


PASSAGES®

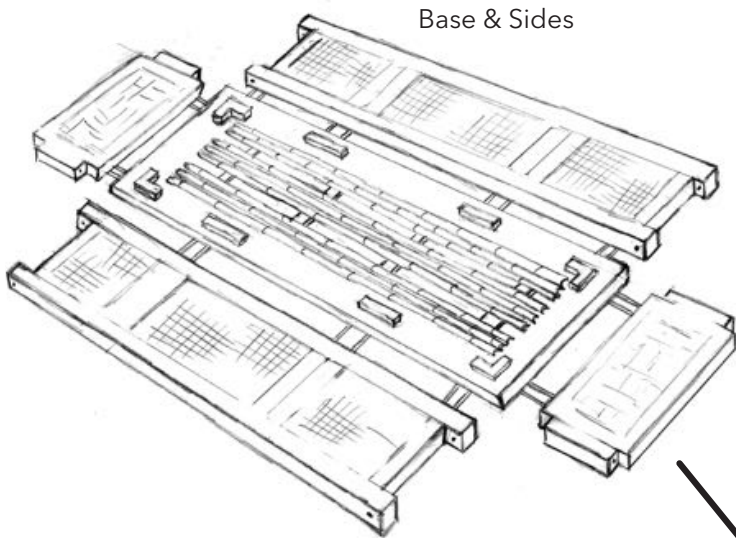
*Embracing Change*

# Simple Bamboo Container Assembly Guide

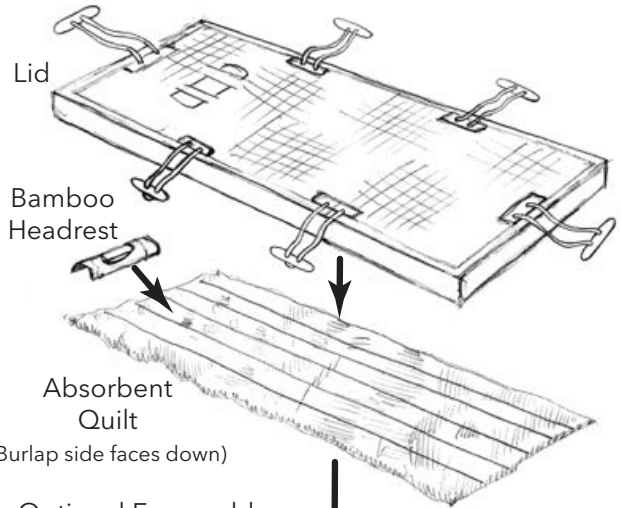
## What comes inside:



Pins  
(may be found taped inside of  
Bamboo Headrest for shipping)



Base & Sides



Lid

Bamboo  
Headrest

Absorbent  
Quilt  
(Burlap side faces down)

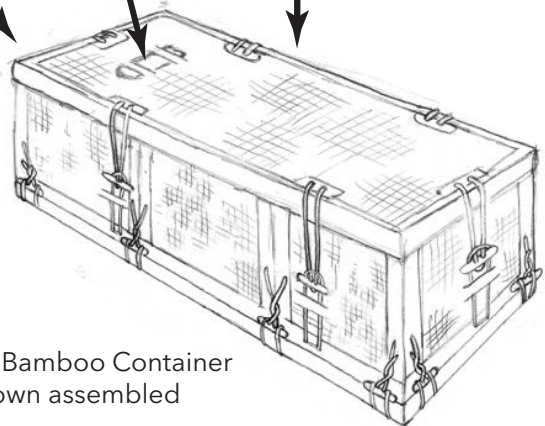
Optional Engravable  
Bamboo Plaque

## Assembly:

**1.**

Remove the Simple Bamboo Container from the box, untie the jute straps, then place the Absorbent Padding, Pins and Bamboo Headrest off to one side.

(Continued on reverse side)

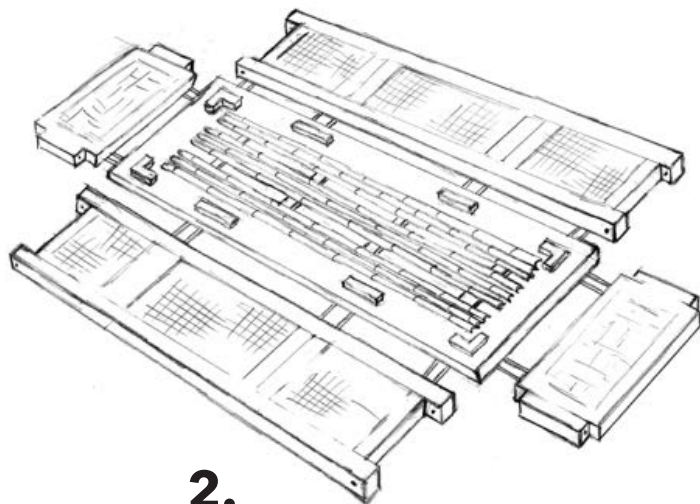


Simple Bamboo Container  
shown assembled



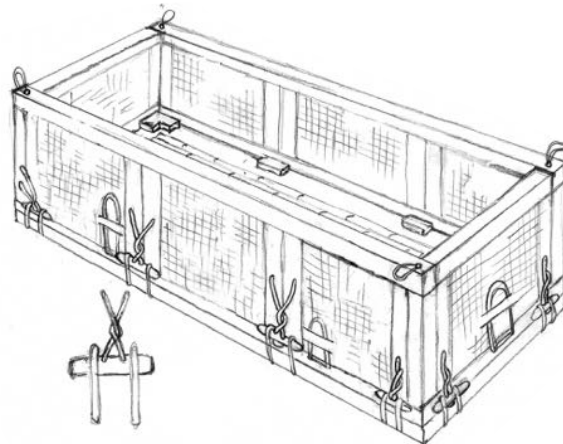
# PASSAGES<sup>®</sup>

*Embracing Change*



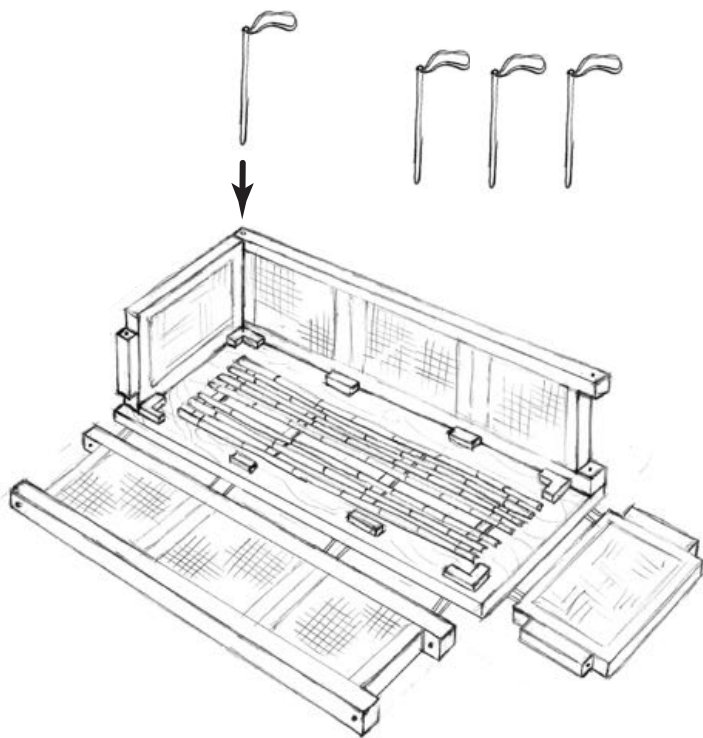
**2.**

Raise the sides so that they interlock as shown below, align the holes, and insert a pin into each corner until the pin sits flush at the top edge of the panel.



**3.**

The strings to the toggles will need to be worked loose through the holes so that the toggles can be put through the loops near the base. Twist the toggles as shown, for further tightening if necessary.



**4.**

After placing the Absorbent Quilt and Bamboo Headrest inside the Container, place the Lid onto the Container and fasten the toggles as shown (twisting to tighten if necessary).