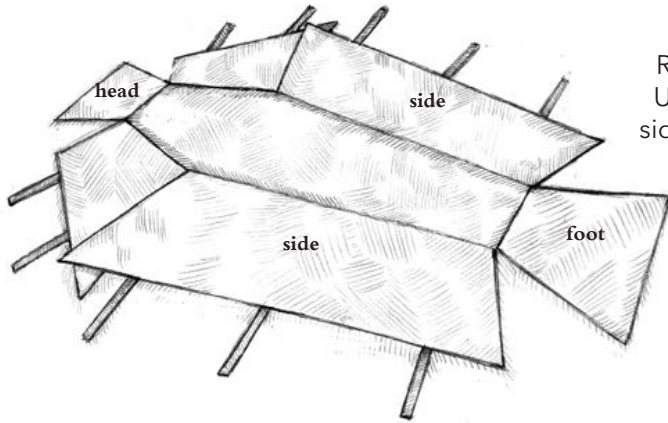




# PASSAGES<sup>®</sup>

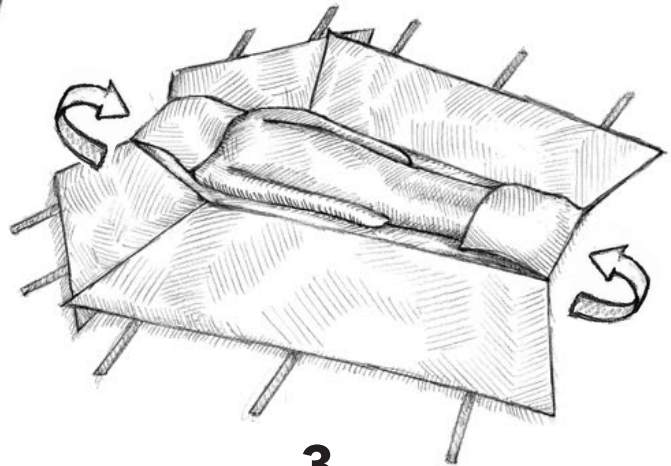
*Embracing Change*

## Anubis Shroud Instructions



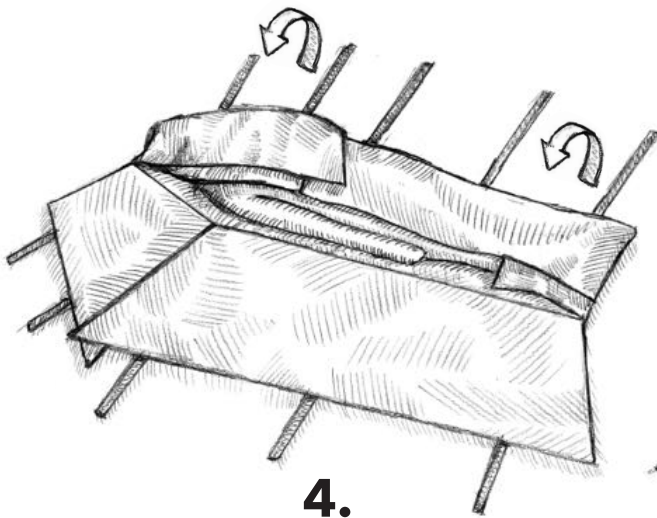
**1.**

Remove the shroud from its wrapping. Unfold, and spread the head, foot, and side panels out. Handles and tying straps should be on the underside of the unfolded shroud.



**2.**

With the body centered on the shroud, lay the head and foot panels over the head and feet.

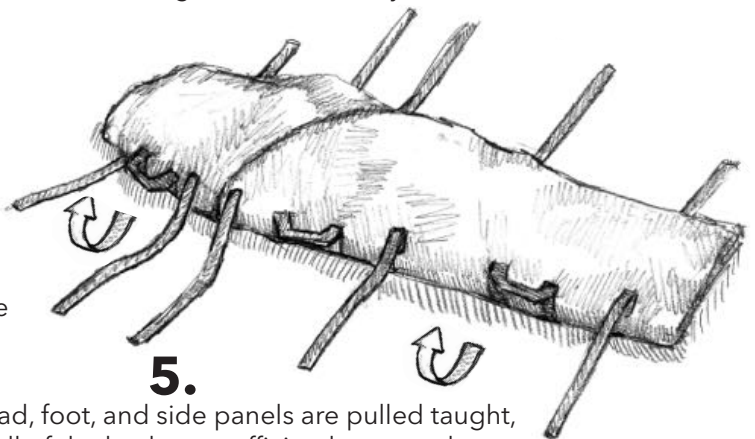


**3.**

One by one, place the side panels of the shroud over the body. Start with both panels of one side, covering the legs first followed by the chest/torso.

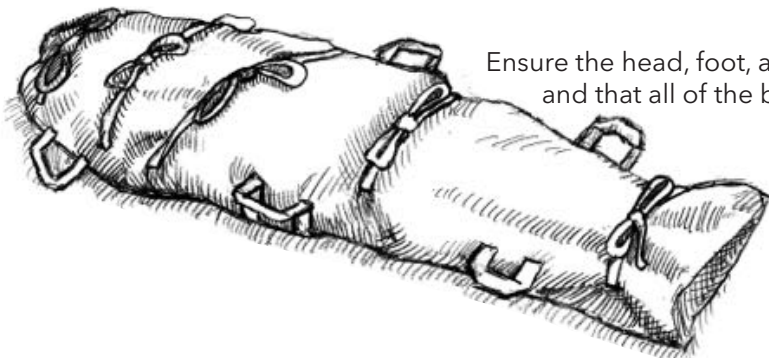
**4.**

Place the panels of the opposite side of the shroud over the body, covering the legs first followed by the chest/torso.



**5.**

Ensure the head, foot, and side panels are pulled taut, and that all of the body are sufficiently covered.



**6.**

While keeping the folded panels taut and secured in place, bring the tying straps together section by section, and knot tightly. The six handles along the sides can be used for lifting, carrying and transporting.

*\*When moving a shrouded body, always use all six handles, pulling in an upward motion. Never move the shrouded body by pulling sideways from the handles, or with less than six handles as it could tear.*