



# PASSAGES<sup>®</sup>

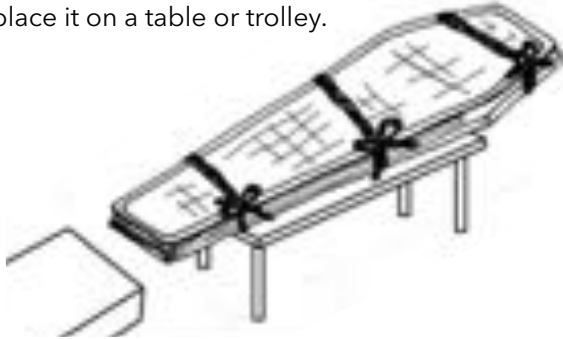
*Embracing Change*

## 6-Point Bamboo Coffin Assembly Guide

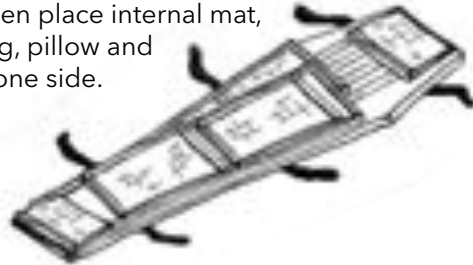
### Package Contents:

1 Coffin, 6 Pins, 1 Lining, 1 Pillow.  
Two-person assembly suggested.

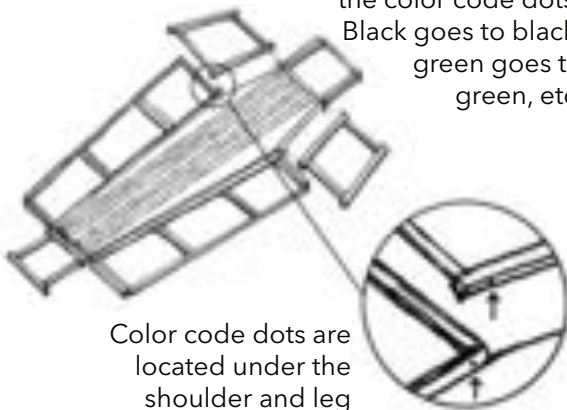
**1)** Remove the coffin from the box and place it on a table or trolley.



**2)** Untie the binding jute strap, then place internal mat, lid, lining, pillow and pins to one side.



**3)** Take the two loose shoulder panels, set these according to the color code dots: Black goes to black, green goes to green, etc.

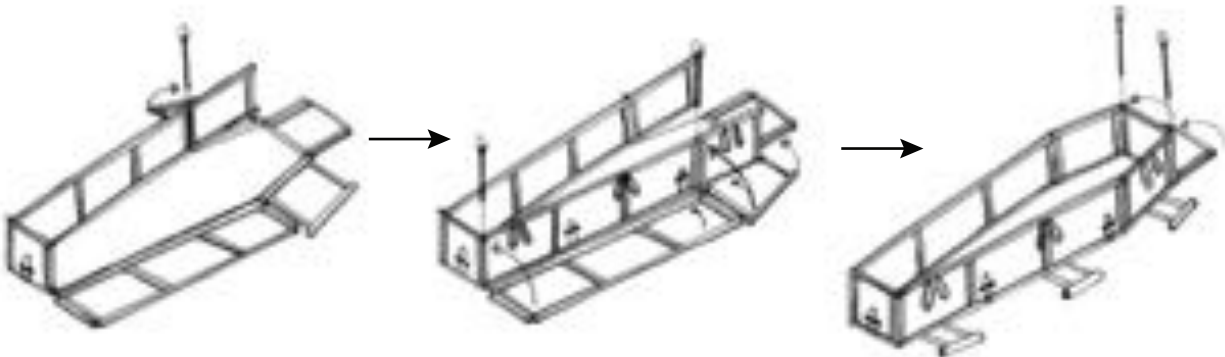


Color code dots are located under the shoulder and leg panels.

**4)** Working at the foot, raise panels, place them into the space between the locator and the jute trim, align eyelets and firmly insert each pin until it sits flush at the top edge of the panel.



**5)** Repeat step 4 for each side of the coffin.



Continued on other side

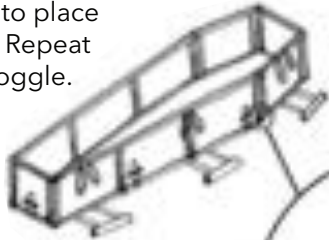


# PASSAGES<sup>®</sup>

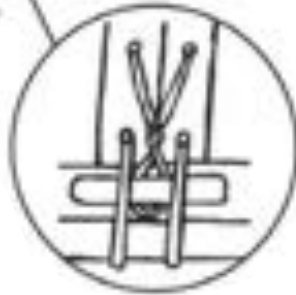
*Embracing Change*

Continued from other side.

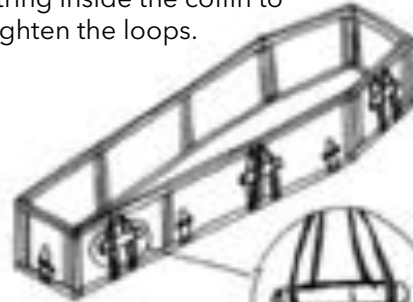
**6)** Pull the toggles to tighten the string and lock the toggles into place as shown. Repeat for each toggle.



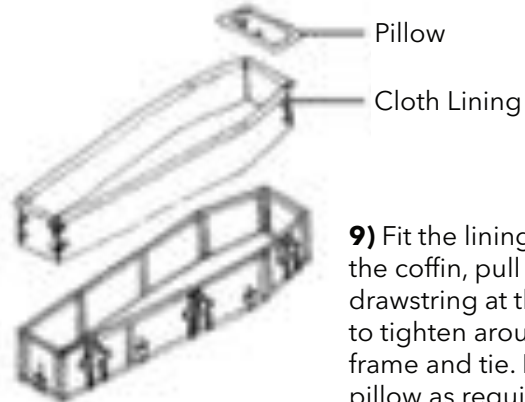
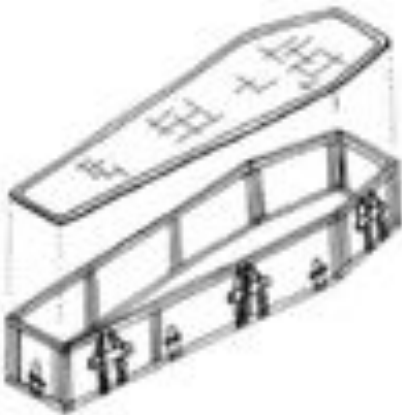
Toggles may be adjusted by twisting the string.



**7)** Secure the handles in place through the string loops, pull the end of the string inside the coffin to tighten the loops.

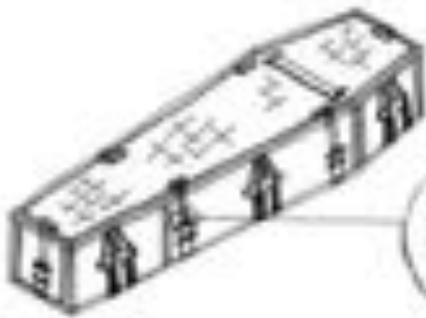


**8)** Press the interior mat firmly into place inside the coffin.



**9)** Fit the lining inside the coffin, pull the drawstring at the foot to tighten around the frame and tie. Place pillow as required.

**10)** lace the lid and secure the straps with the toggle and string.



### **Carrying the Coffin**

If required, unhook the handles for ease of carrying.