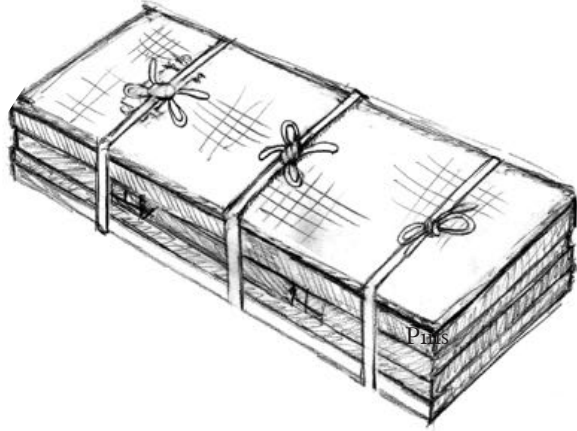




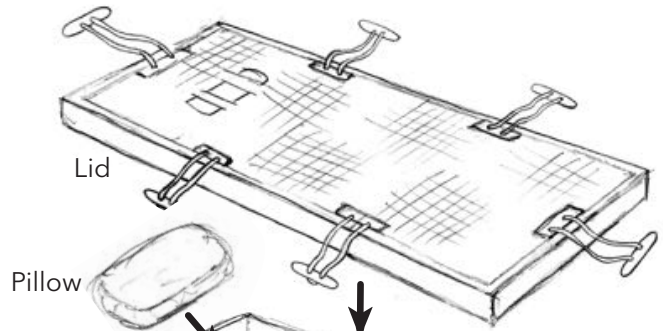
PASSAGES®

Embracing Change

Four-Point Bamboo Casket Assembly Guide

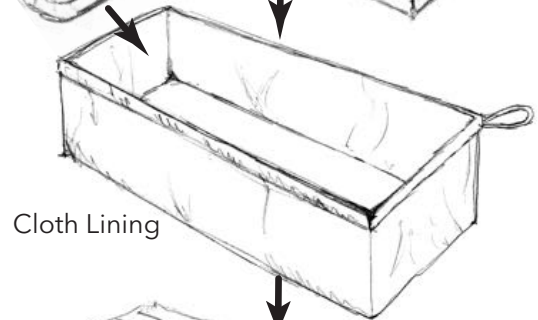


What comes inside:

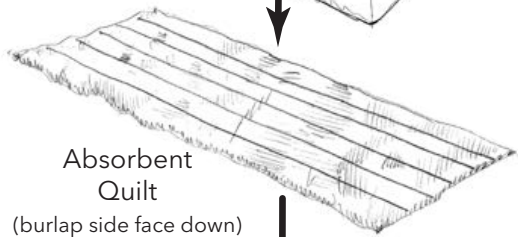


Pillow

Lid



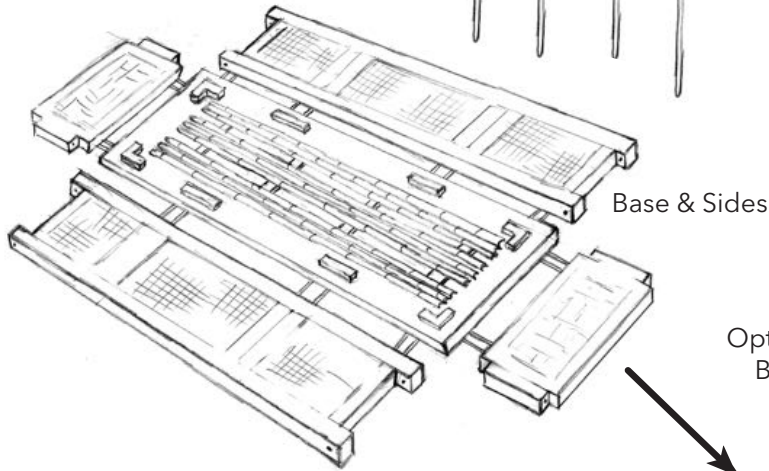
Cloth Lining



Absorbent Quilt
(burlap side face down)



Pins



Base & Sides

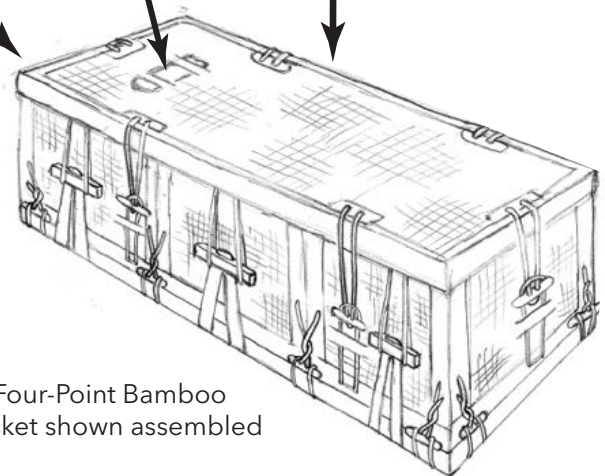
Optional Engravable
Bamboo Plaque

Assembly:

1.

Remove the Four-Point Bamboo Casket from the box, untie the jute straps, then place the Absorbent Quilt, Cloth lining, Pillow, and Pins off to one side.

(Continued on reverse side)

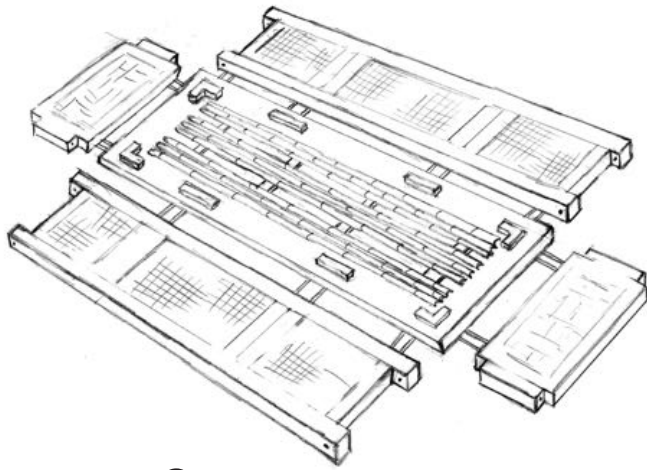


Four-Point Bamboo
Casket shown assembled



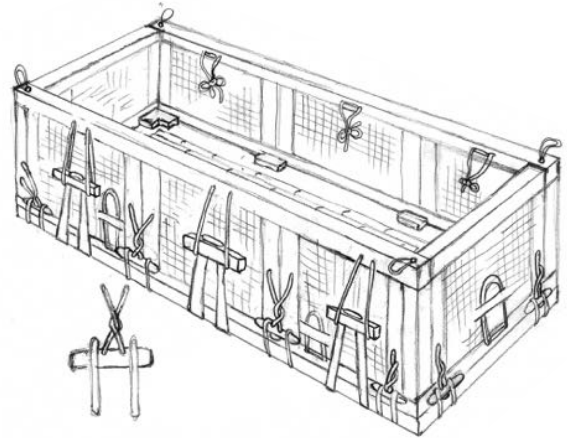
PASSAGES®

Embracing Change



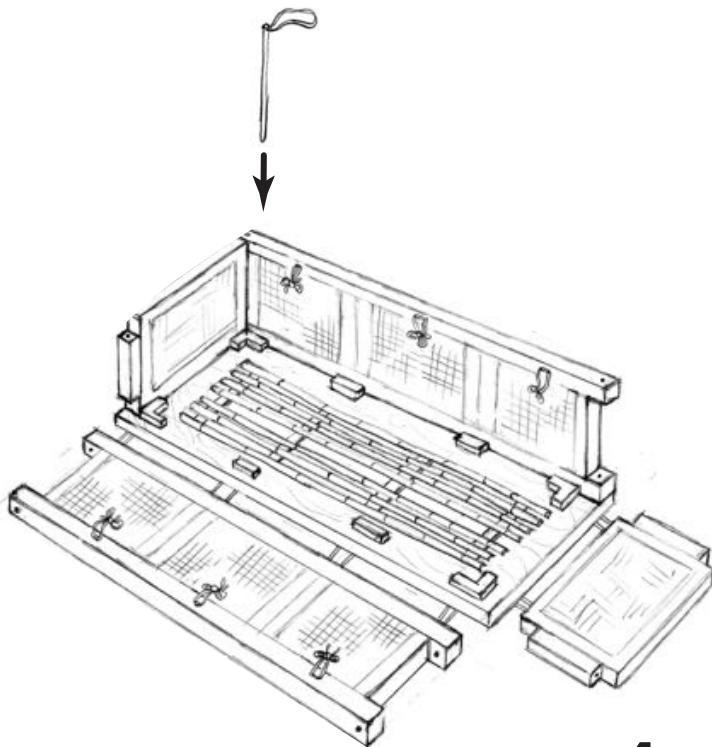
2.

Raise the sides so that they interlock as shown below, align the holes, and insert a pin into each corner until the pin sits flush at the top edge of the panel.



3.

The strings to the toggles will need to be worked loose through the holes so that the toggles can be put through the loops near the base. Twist the toggles as shown, for further tightening if necessary.



4.

After placing the Absorbent Quilt, Cloth Lining and Pillow inside the Casket, place the Lid onto the Casket and fasten the toggles as shown (twisting to tighten if necessary).

